



A-dec 336 Delivery System on an A-dec 411 or 511 Dental Chair

INSTALLATION GUIDE

Before You Install the 336 Delivery System

Install the Rigid Arm

- **A-dec 411 Dental Chair:** Follow the instructions for installing the rigid arm in the *A-dec 411 Dental Chair with Radius-Style® Delivery System and Dental Light Installation Guide* (p/n 86.0378.00):
 - Delivery system rigid arm only, pages 11 - 12
 - Dual rigid arms, pages 15 - 17
- **A-dec 511 Dental Chair:** Follow the instructions for installing the rigid arm in the *A-dec 300 Radius-Style Delivery System and Dental Light on an A-dec 511 Dental Chair Installation Guide* (p/n 86.0307.00):
 - Delivery system rigid arm only, pages 8 - 9
 - Dual rigid arms, pages 12 - 19.



NOTE If installing the 336 on an A-dec 311 Dental Chair, see the installation guide that came with the chair.



336 Manual Height Adjustment
Arm Delivery System

Install the A-dec 336 Manual Height Adjustment Arm Delivery System

Recommended Tool

- 5/32" hex key



NOTE To avoid problems, read all of this procedure before attempting to install the delivery system.

Task 1.

- 1** If there is room, place the box containing the delivery system next to the chair. If you can't place the box next to the chair, proceed with Task 2.
- 2** Route as much of the tubing into the lower post as you can.

Task 2.



- 1** Pick up the delivery system and put it over your shoulder so one hand is free to route the tubing bundle.

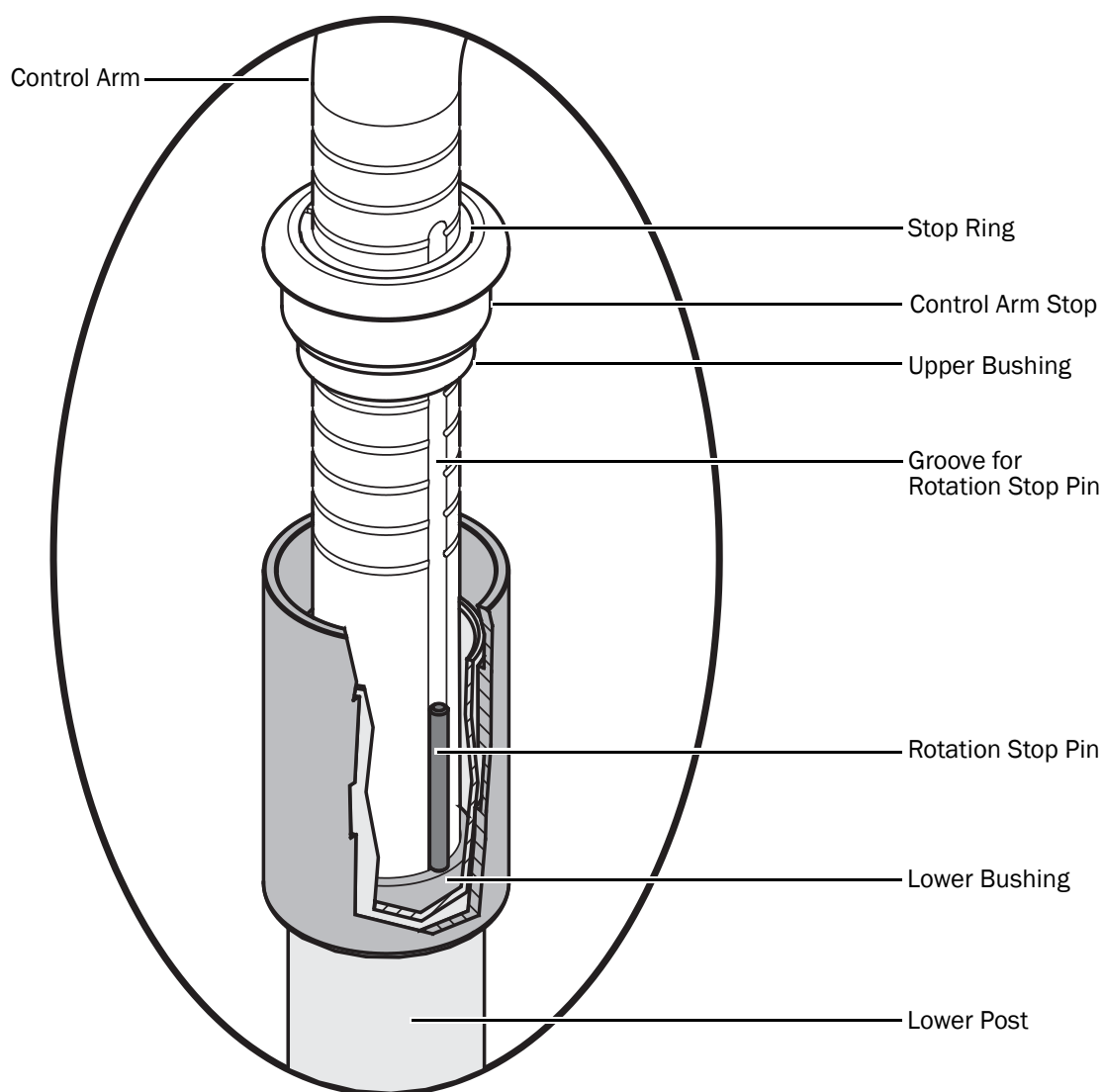


TIP To make it easier to handle, wrap the delivery system handpiece tubing around the control head before picking up the delivery system.

Task 3.

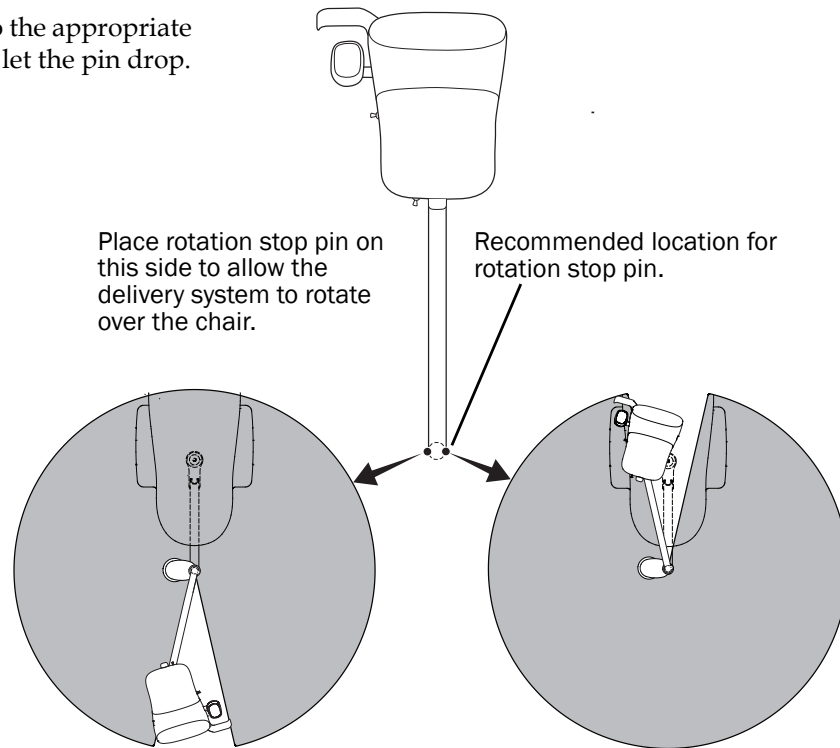
- 1** Remove the rotation stop pin (that is taped to the control arm) from the control arm.
- 2** Route the delivery system tubing through the lower post.
- 3** Carefully lower the control arm into the lower post until the end of the control arm is past the top of the lower bushing.

NOTE If the end of the control arm is not inserted past the lower bushing, the rotation stop pin can fall into the lower post. The rotation stop pin prevents the delivery system from rotating continuously and twisting the delivery system tubing.



Task 4.

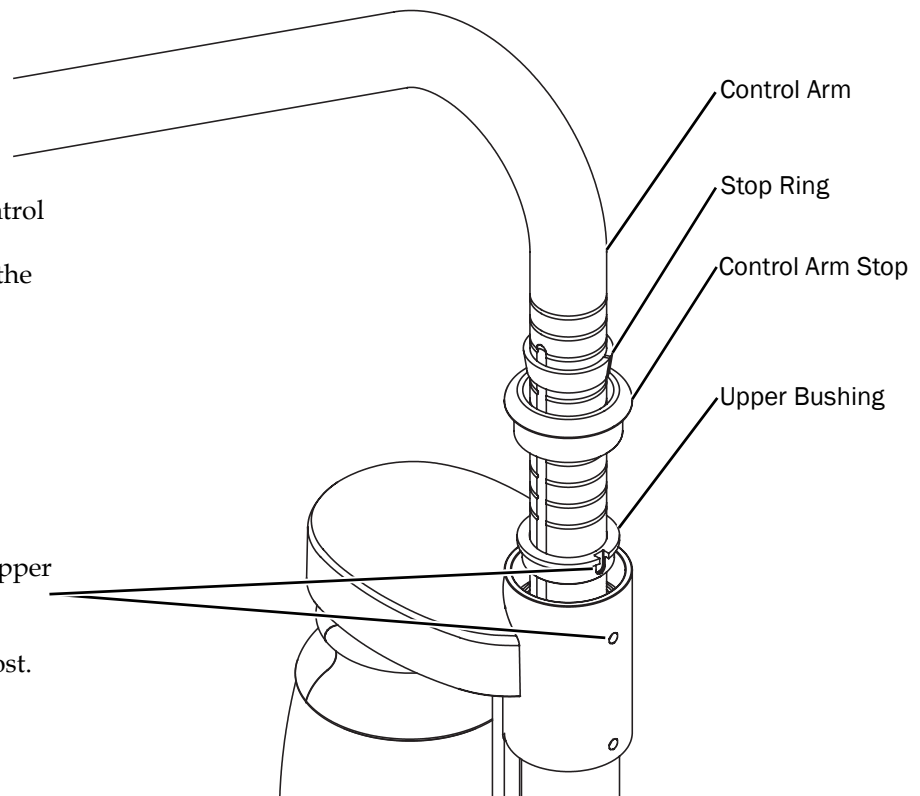
- 1** Place the rotation stop pin into the appropriate groove in the control arm and let the pin drop.



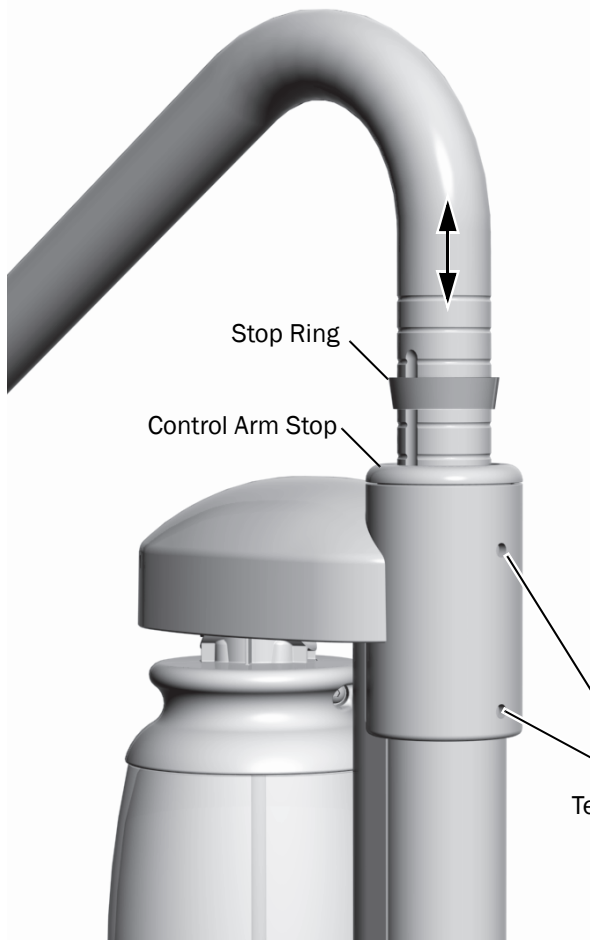
Task 5.

- 1** While holding the stop ring, control arm stop, and upper bushing together, remove the tape from the control arm.

- 2** Carefully align the hole in the upper bushing with the top tension adjustment setscrew. Lower the upper bushing into the lower post.



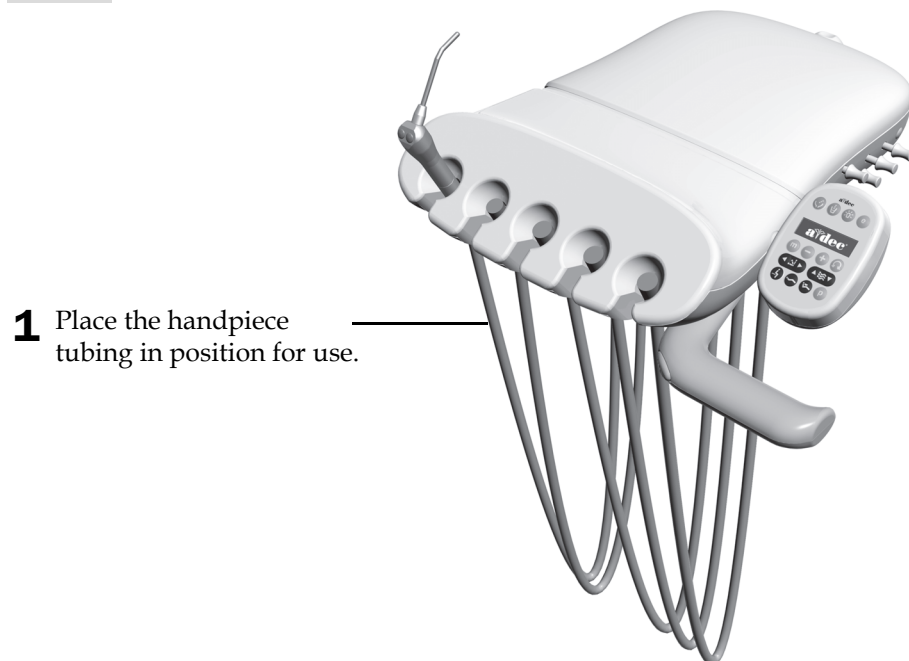
Task 6.



- 1** Lower the control arm stop into the lower post.
- 2** Move the stop ring to the desired position along the control arm to set the height of the delivery system.
- 3** Lower the upper control arm until the stop ring fits into the upper control arm stop.
- 4** Use a 3/32" hex key to tighten the upper and lower adjustment tension setscrews.

Tighten the setscrews just enough so that the control head does not drift.

Task 7.



- 1** Place the handpiece tubing in position for use.

- 2** Insert adjustment keys.

Connect the A-dec 336 Saliva Ejector (Optional) Tubing

If you installed a 336 Delivery System with the optional saliva ejector, there are two procedures for connecting the saliva ejector tubing.

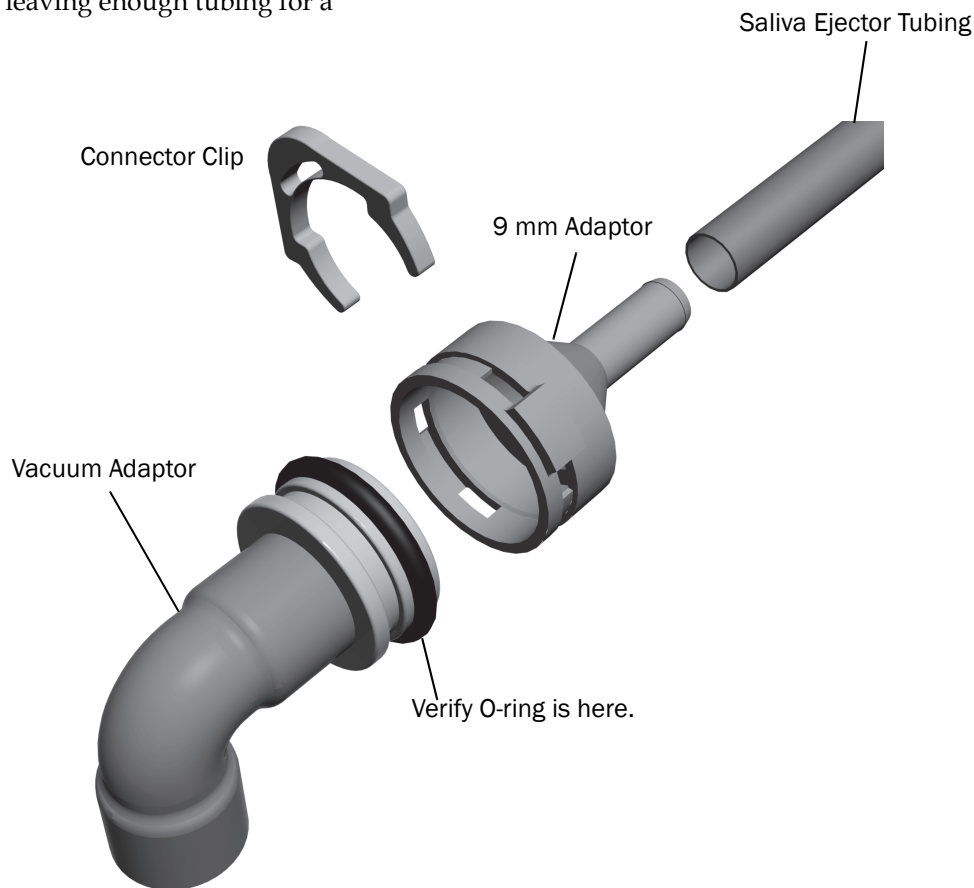
Connect Tubing on a Chair Without Assistant's Instrumentation this page

Connect Tubing on a Chair With A-dec 336 Assistant's Instrumentation . . . page 7

Connect the Saliva Ejector Tubing on a Chair Without Assistant's Instrumentation

Task 1.

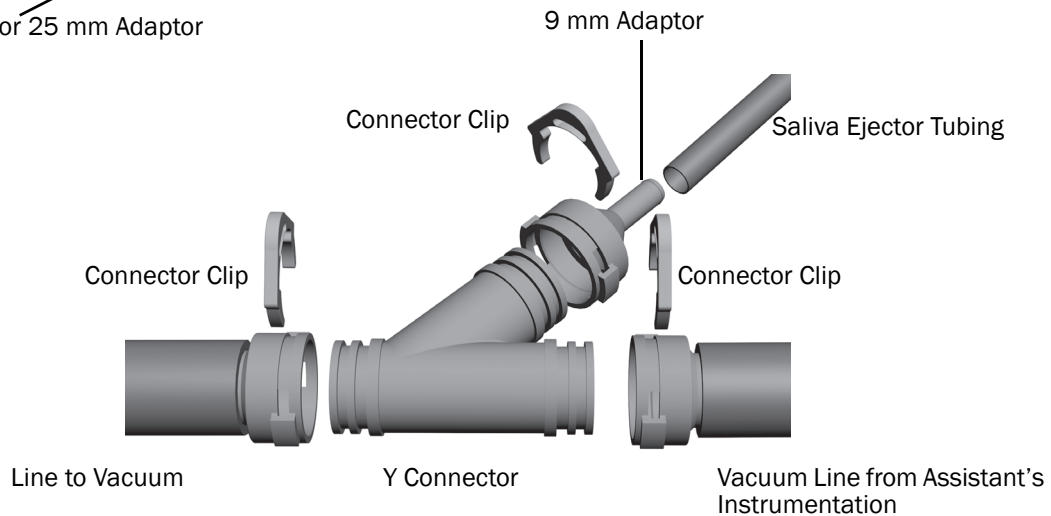
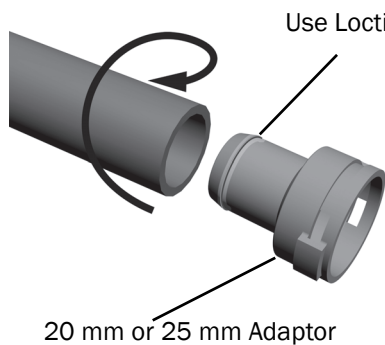
- 1** Locate the 5/16" saliva ejector tubing in the delivery system tubing bundle.
- 2** Route the saliva ejector tubing through the convolute into the floor box.
- 3** Connect the vacuum adaptor (copper with a plastic collar attached) to the vacuum line.
- 4** Route the saliva ejector tubing to the vacuum adaptor. Trim the tubing to remove excess tubing leaving enough tubing for a service loop.
- 5** Push the saliva ejector tubing on to the 9 mm adaptor.
- 6** Verify that an O-ring is installed on the vacuum adaptor. If it is not, install an O-ring in the first groove on the adaptor.
- 7** Attach the saliva ejector 9 mm adaptor to the vacuum adaptor. Secure the tubing connector to the vacuum adaptor with the connector clip.



Connect the Saliva Ejector Tubing on a Chair With Assistant's Instrumentation

Task 1.

- 1** Route the assistant's instrumentation vacuum line through the convolute into the floor box.
- 2** Route the saliva ejector tubing through the convolute into the floor box.
- 3** Position the Y connector in the floor box next to the assistant's instrumentation vacuum line. Cut the vacuum line at a point next to the top of the Y connector.
- 4** Spread Loctite 411 around the lip on one of the 20 mm adaptors.
- 5** Use a twisting motion to push the side of the vacuum line that comes from the convolute on to the adaptor.
- 6** Attach the adaptor to the main top opening of the Y connector. Secure the adaptor to the Y connector with a connector clip.
- 7** Spread Loctite 411 around the lip on one of the remaining adaptors.
- 8** Use a twisting motion to push the remaining piece of vacuum line onto the adaptor.
- 9** Connect the vacuum line to the vacuum source.
- 10** Attach the adaptor to the lower opening of the Y connector. Secure the adaptor to the Y connector with a connector clip.
- 11** Push the saliva ejector tubing on to the 9 mm adaptor.
- 12** Attach the saliva ejector tubing adaptor to the side opening of the Y connector. Secure the adaptor to the Y connector with a connector clip.



Complete the Installation

- **A-dec 411 Dental Chair:** See the section "Connect the Tubing" in the *A-dec 411 Dental Chair with Radius-Style Delivery System and Dental Light Installation Guide* (p/n 86.0378.00) to complete the installation.
- **A-dec 511 Dental Chair:** See the section "Plumb the Delivery System" in the *A-dec 500 Installation Guide* (p/n 86.0400.00) to complete the installation.

Regulatory Information

Regulatory information mandated by agency requirements is provided in the *Regulatory Information, Specifications, and Warranty* document (p/n 86.0221.00), which is available in the Document Library at www.a-dec.com.

A-dec Headquarters

2601 Crestview Drive
Newberg, OR 97132 USA
Tel:1.800.547.1883 Within USA/Canada
Tel:1.503.538.7478 Outside USA/Canada
Fax:1.503.538.0276
www.a-dec.com / www.a-dec.biz

A-dec Inc. makes no warranty of any kind with regard to the content in this document including, but not limited to, the implied warranties of merchantability and fitness for a particular purpose.



86.0568.00 Rev A
Copyright 2015 A-dec Inc.
All rights reserved.
IGrphpor11