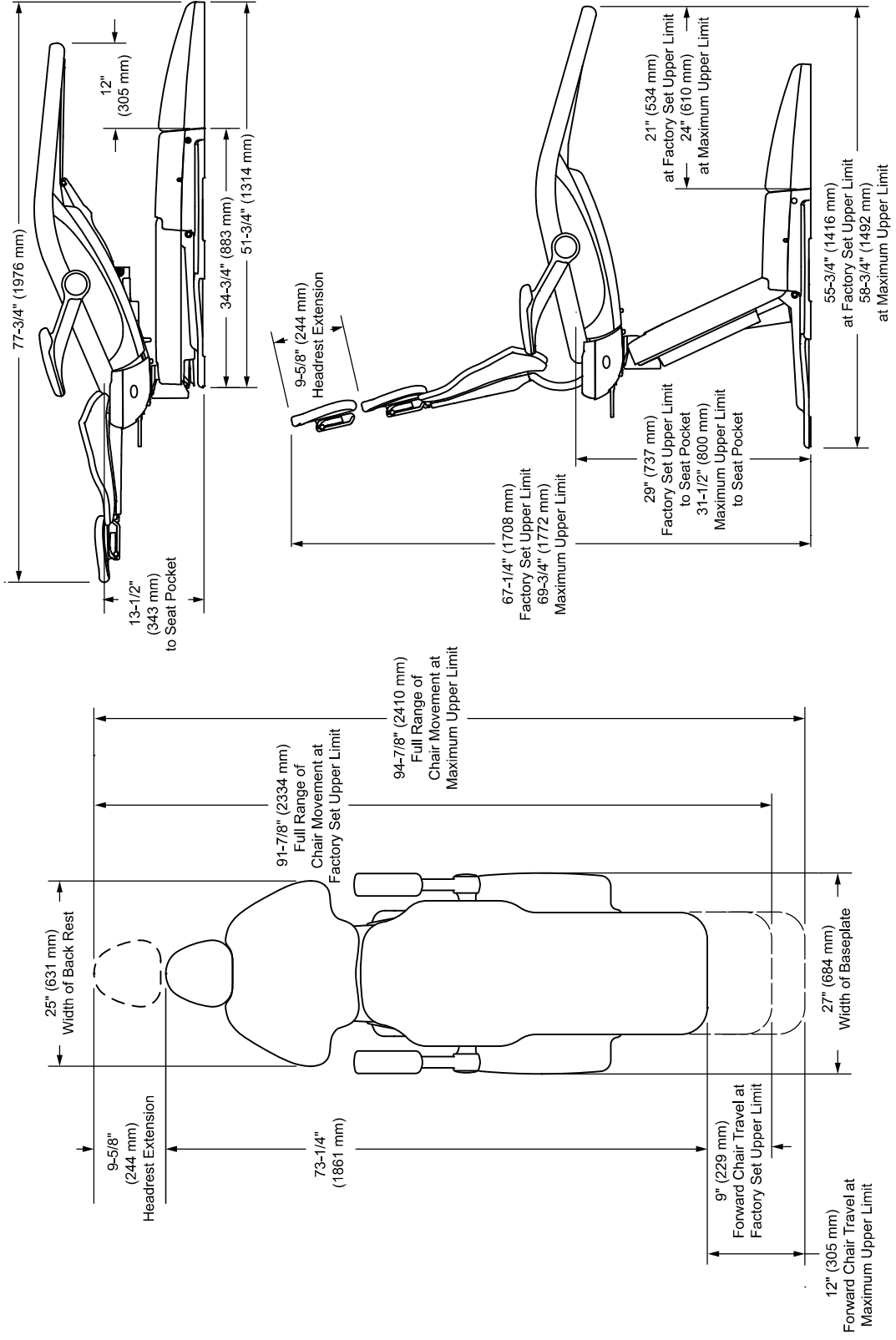
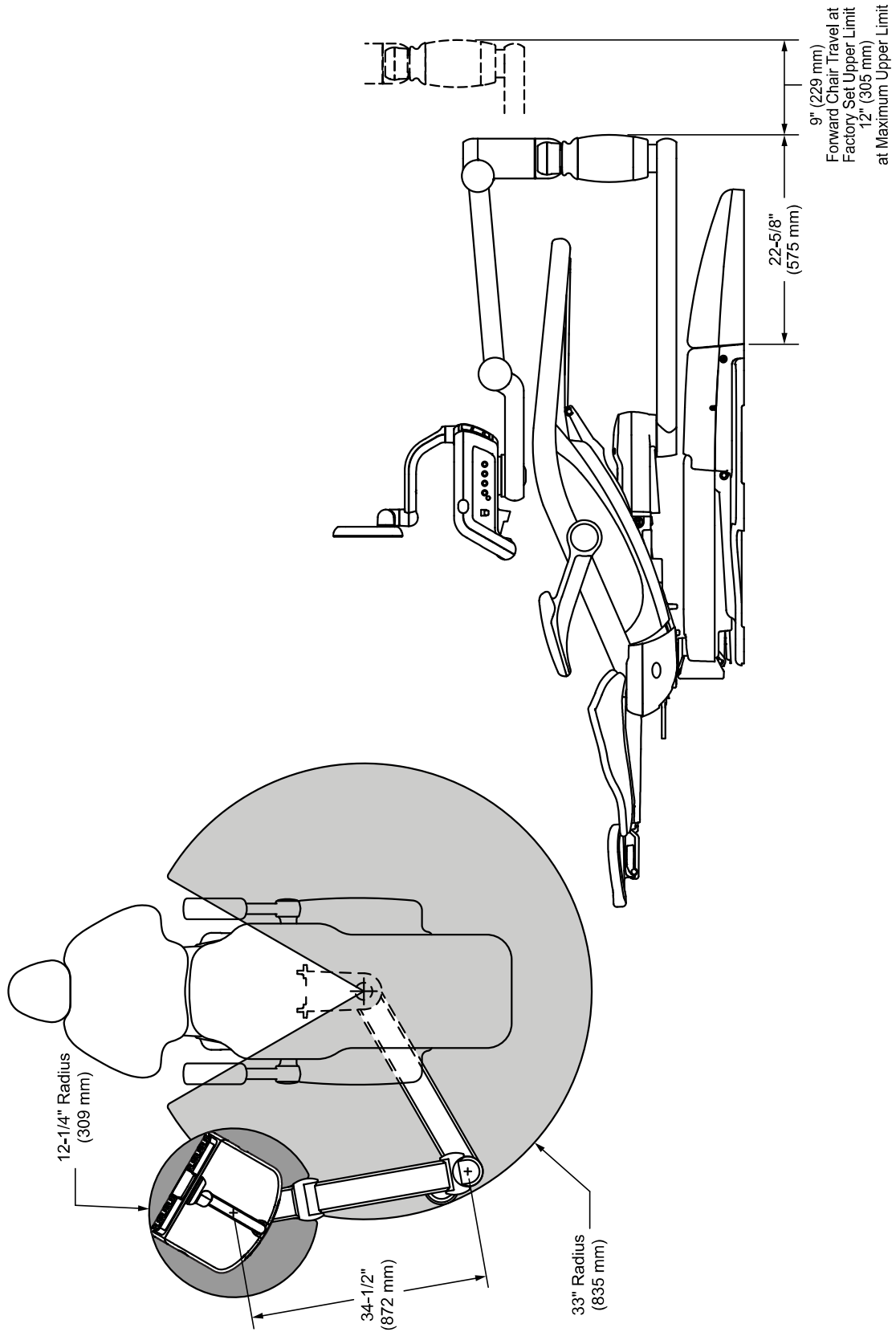


A-dec 500

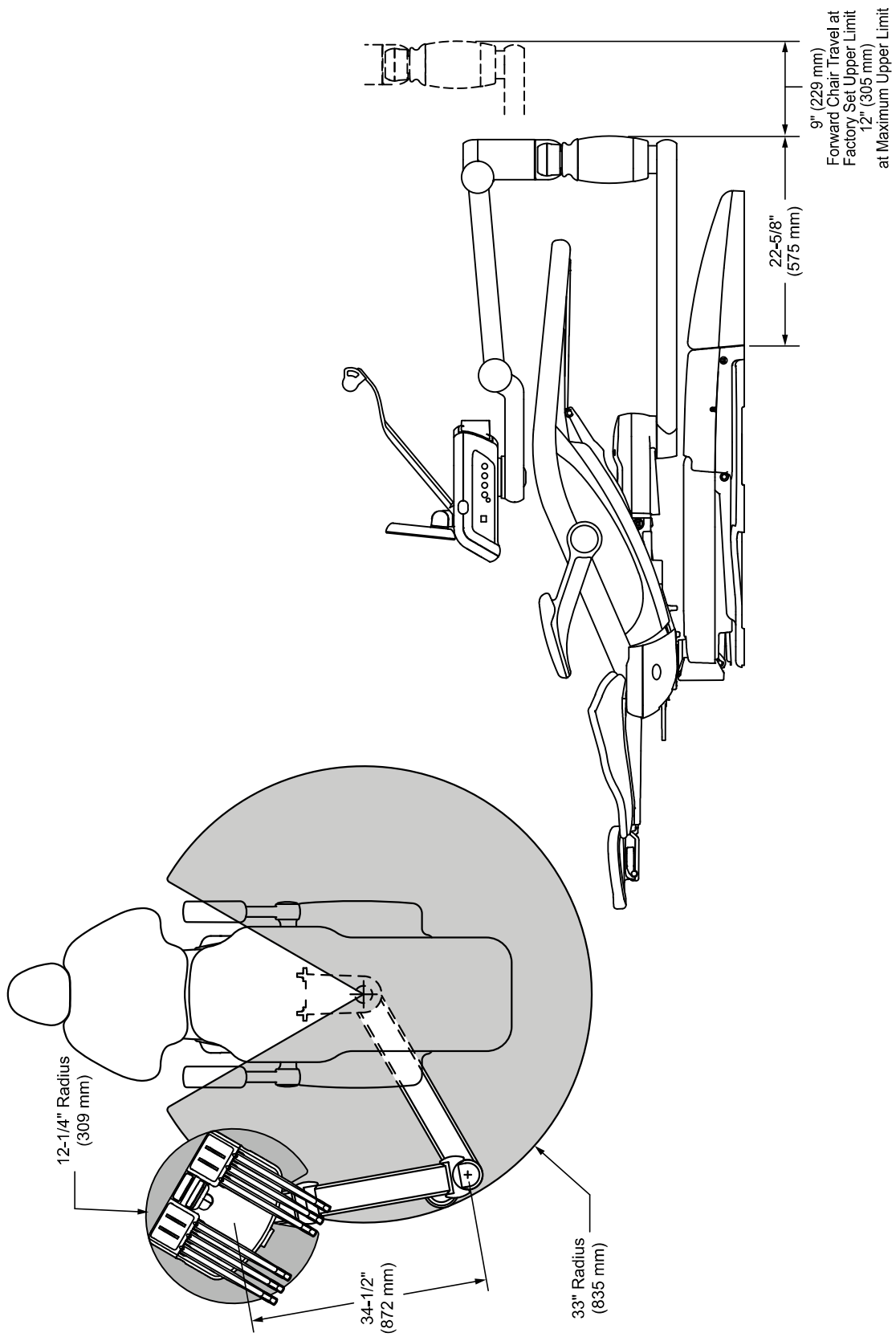
A-dec 511B Dental Chair



A-dec 532B Delivery System

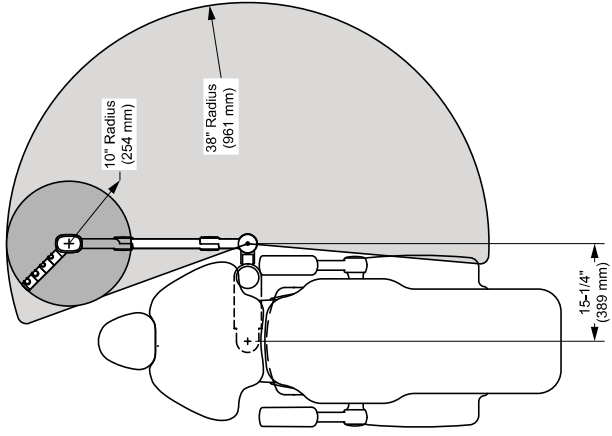


A-dec 533B Delivery System

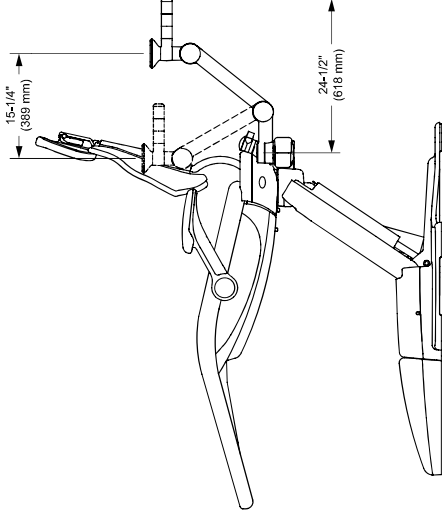
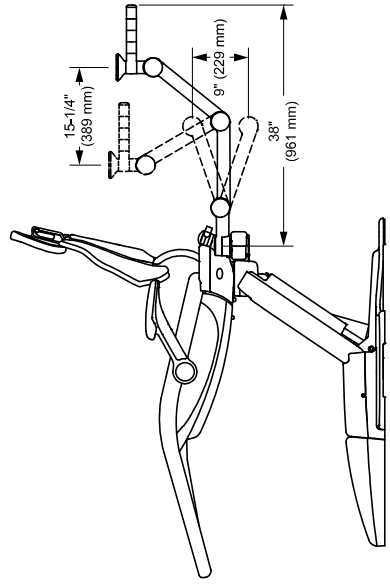
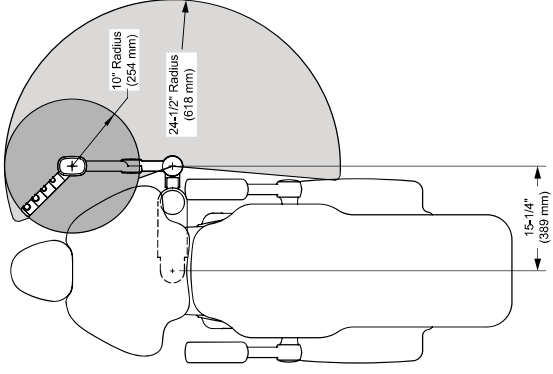


A-dec 551 Assistant's Instrumentation on A-dec 511B Dental Chair

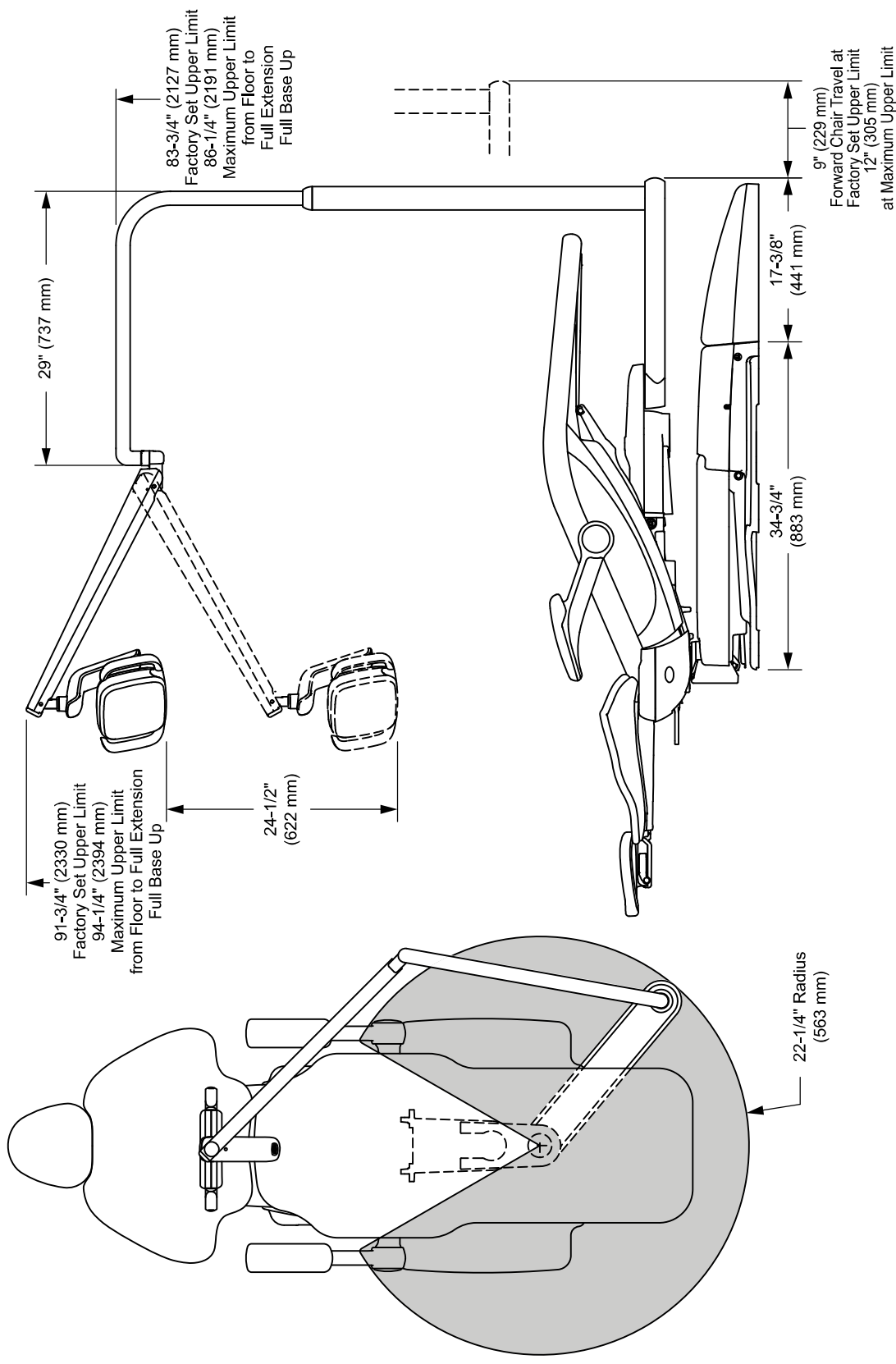
Long Arm



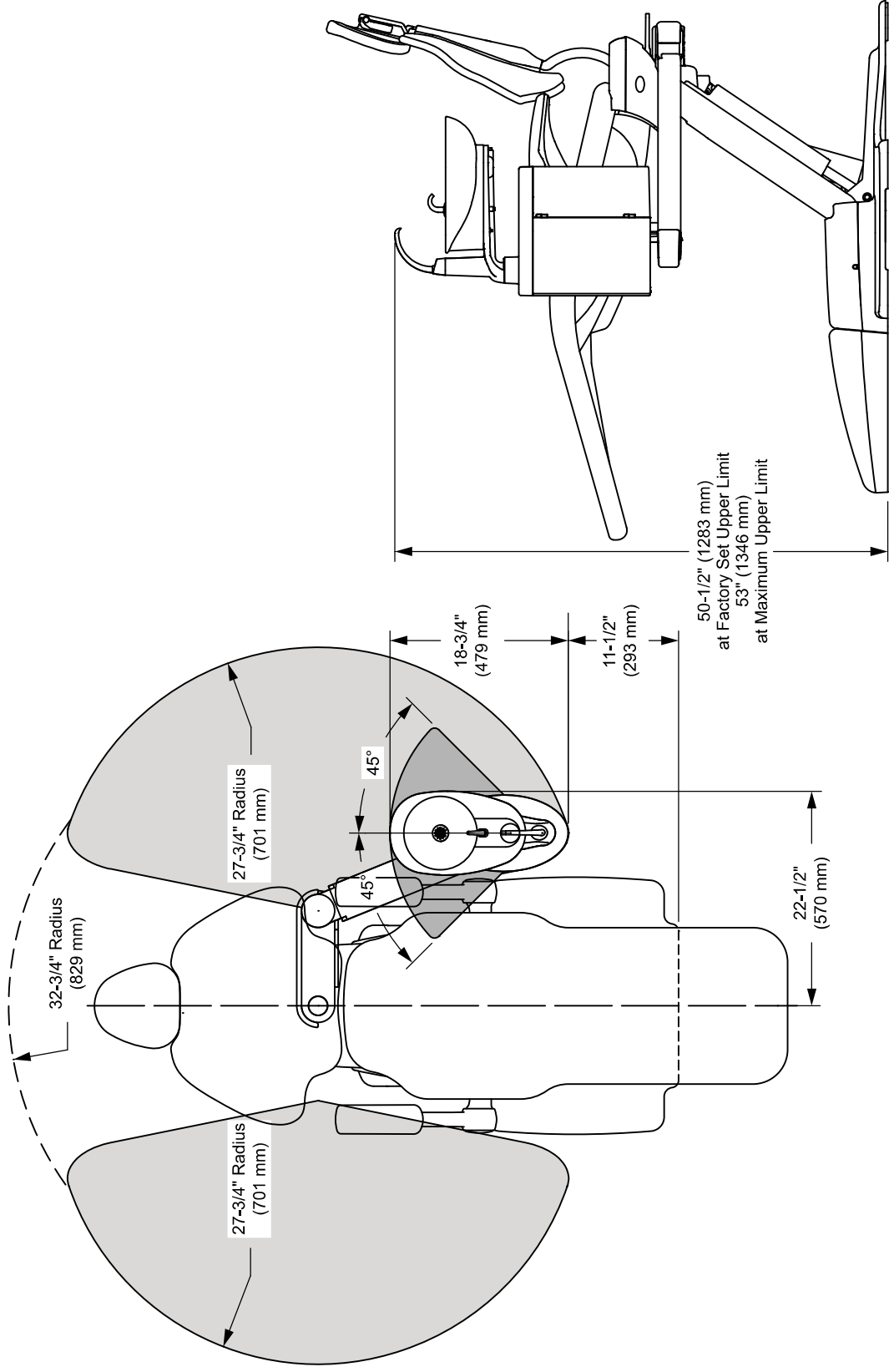
Short Arm



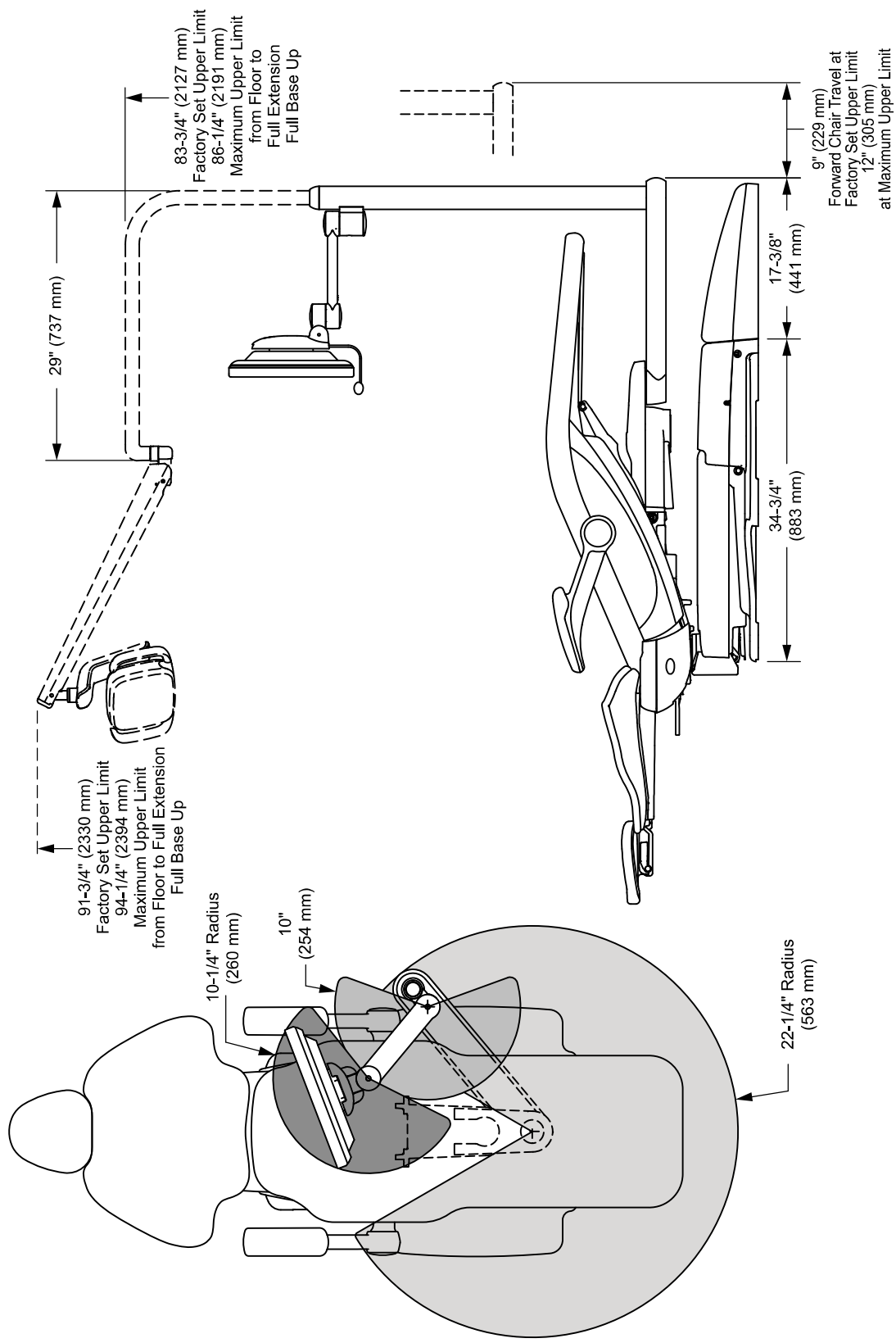
A-dec 572L Dental Light on A-dec 511B Dental Chair



A-dec 461 Support Center and Cuspidor on A-dec 511B Dental Chair



A-dec 482 Monitor Mount and 572L Dental Light on A-dec 511B Dental Chair



A-dec 541B Duo 12 O'Clock Round Work Surface

